

---

# BERTAZZONI PROFESSIONAL SERIES

## 48 INCHES



The new super-wide 48-inch gas range is an uncompromising statement of power and prestige in your kitchen. The cooktop has six gas burners and a stainless-steel electric griddle. The two gas ovens give great flexibility to your cooking. The main oven has a balanced air-flow fan and gas broiler. The useful auxiliary oven, without fan, has a special low temperature setting. A 48-inch six-burner worktop, and matching range hood and backsplash are also available.



**BERTAZZONI**  
**PROFESSIONAL SERIES**  
 SIX-BURNER  
 FREE-STANDING GAS RANGE  
 48 INCHES DOUBLE OVEN  
 ELECTRIC GRIDDLE

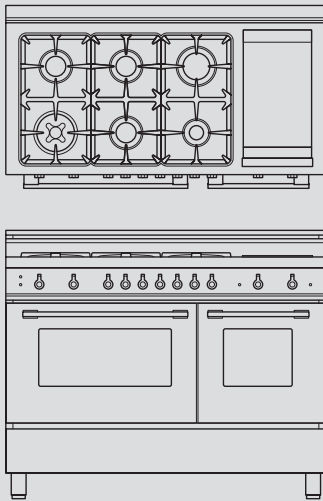
**Range 48"**  
 X48 6G GGV X  
 6 burners

Gas oven	•
Gas grill	• not with auxiliary oven
Safety device, one-hand ignition	•
Convection	• not with auxiliary oven
Storage compartment	•

Dimensions	
Width	48"
Depth side panel	24"
Total depth	25 1/2"
Height	35 1/2" + 37 1/4"
Main oven	23 1/2" x 16 1/2" x 13" = 2.90 ft³
Auxiliary oven	14 1/2" x 16 1/2" x 13" = 1.80 ft³

Burner power	
Dual wok	12000 + 3000 Btu/h
Rapid	11000 Btu/h
Semi-rapid	6500 Btu/h
Auxiliary	3400 Btu/h
Simmer rate	750 Btu/h
Electric griddle	1100 W

Comes with a standard 4" Backguard.  
 Optional 2" island raiser and flat island trim available.



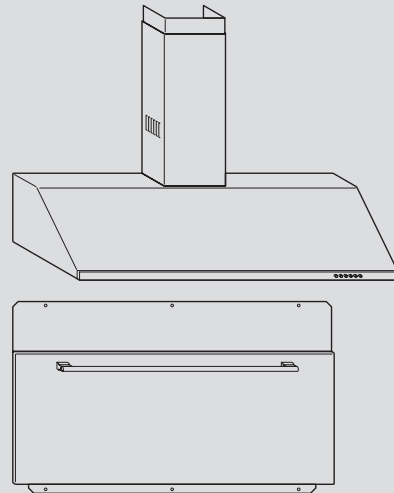
**BERTAZZONI**  
**PROFESSIONAL SERIES**  
 RANGE HOOD 48 INCHES  
 BACKSPLASH 48 INCHES

**Range Hood**  
 48"  
 K48 PRO X

**Backsplash**  
 BS48 PRO X

Two motors	•	n/a
Electronic control	•	n/a
Halogen lights	•	n/a
Mesh filters	•	n/a
Utensil bar	n/a	•

Dimensions		
Width	48"	48"
Depth	19"	21 1/2"
Height	min.33 1/2" max.47 1/2"	n/a
Distance fr worktop	25 1/2" + 31 1/2"	n/a
Motor power	600 cfm	n/a
Thickness	n/a	3/4"
Hood adjustment	n/a	6"



**COLORS AVAILABLE**

Verde Green	Bianco White	Rosso Red	Crema Cream	Nero Black	Giallo Yellow	Blu Blue	Vino Burgundy	Inox Stainless Steel
X48 6G GGV VE	X48 6G GGV BI	X48 6G GGV RO	X48 6G GGV CR	X48 6G GGV NE	X48 6G GGV GI	X48 6G GGV BL	X48 6G GGV VI	X48 6G GGV X

**ACCESSORIES**

2" Island Raiser (IR48X), 48" Toe kick panel (TKS48X), Kit Baffle filters (901178), 30" Telescopic slide shelf (TG30X), Stainless steel griddle (SG36X), Steel griddle cover (901183), Cast iron griddle plate (C I PAN), Wok ring (408058), Simmer plate (408069).